

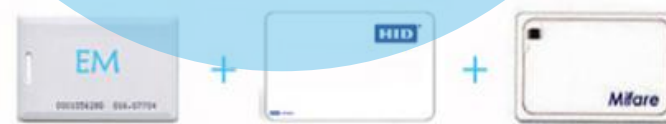
SF3-MF

Wiegand Reader (E/H/Mifare).

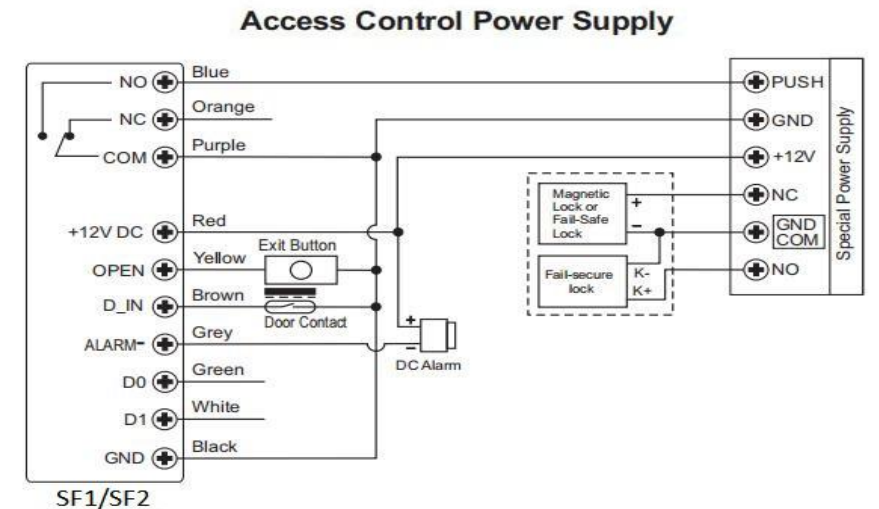
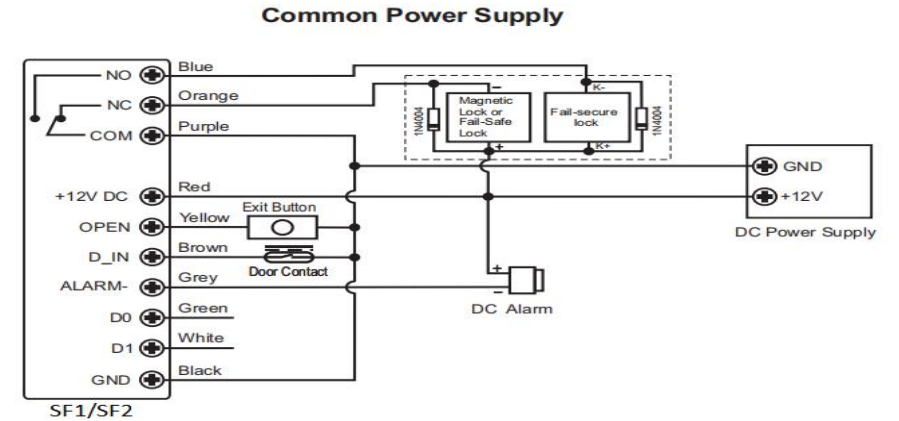
- > Waterproof, conforms to IP66.
- > Metal case, Anti-vandal proof.
- > SF3: 1000 fingerprint users, 2000 card users.
- > Multi fingerprints / cards access.
- > Wiegand 26~44 bits output.
- > 2 devices support interlock for 2 doors > Latch Mode to hold door or gate open > Anti-tamper alarm.
- > Multi-color LED status display.
- > Integrated alarm & buzzer output.
- > Card type: Hid card, EM card & Mifare card.
- > Reading range: 7 cm.
- > External LED Control & External Buzzer Control.
- > Working temperature: -40 oC ~ 60 oC (-40 oF ~ 140 oF).

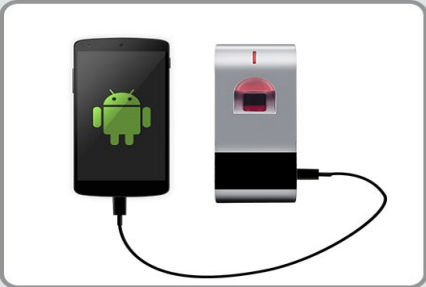


SF3-MF



User Capacity :	3000
Fingerprint :	1000
Operating Voltage Idle Current Active Current	12VDC \pm 10% <45mA <150mA
Fingerprint Reader Resolution Identification time	Optical fingerprint Module 500DPI \leq 1S
FAR FRR	<0.01% <0.1%
Proximity Card Reader: Radio Technology: Read Range: Wiring Connections: Relay:	Industry Standard 26bits 125KHz or 13.56MHz \geq 2cm Relay Output, Exit Button, DOTL, Alarm, Wiegand Output One (NO, NC, Common)
Adjustable Relay Output Time /Adjustable Alarm Output Time Lock Output Load Alarm Output Load	0-99 Seconds (default: 5 seconds)/0-3 Minutes (default: 1 minute) 2 Amp Maximum 5 Amp Maximum
Wiegand Interface	Wiegand 26~44 bits output (default: 26bits)
Environment Operating Temperature	Meets IP66 -30°C ~60°C (-22°F~140°F) - Default -40°C ~60°C (40°F ~140°F) - Optional 20%RH-90%RH
Physical Surface Finish	Zinc-Ally Enclosure Power Coat
Dimensions Unit Weight	L103 x W48 x H20 (mm)





Support uploading / downloading users by APP

Wiegand 26~44bits (default 26bits)



Waterproof, up to IP66



Card type: 13.56MHz Mifare

