

Tiandy



TC-NC44M

4MP Motorized IR Dome Camera (2.7-13mm)



Pro Series

KEY FEATURES

- Motorized Lens 2.7-13mm
- Up to 2560x1440@25fps
- S+265/H.265/H.264/M-JPEG
- Min. illumination Color: 0.02Lux@F1.6
- Smart IR, IR Range: 30m
- Support Video Analytics
- Plugin Free
- Operating Conditions -35°~65°, 0~95% RH
- POE, IP66, IK10



Tiandy Technologies Co.,Ltd.

Email: sales@tiandy.com

Tel: +86-22-58596065

Website: en.tiandy.com

Fax: +86-22-58596048



SPECIFICATIONS

Camera	
Image Sensor	1/3" CMOS
Signal System	PAL/NTSC
Min. Illumination	Color: 0.02Lux@ (F1.6, ACG ON), B/W: 0Lux with IR
Shutter Time	1s to 1/100,000s
Day & Night	Dual IR Cut Filter with Auto Switch
Wide Dynamic Range	120dB
Angle Adjustment	pan 0~330°, tilt 0~75°, rotate 0~350°
Lens	
Lens Type	Motorized
Focus	2.7-13mm
Lens Mount	Φ14
Aperture	F1.6~F2.9, DC Drive
FOV	Horizontal field of view: 98.3°~29.7°
Illuminator	
IR LEDs	32
IR Range	Up to 30m
Wavelength	850nm
White LEDs	N/A
Compression Standard	
Video Compression	S+265/H.265/H.264/M-JPEG
Video Bit Rate	32Kbps~16Mbps
Audio Compression	G.711A/G.711U/ADPCM/AAC
Audio Bit Rate	8K~48Kbps
Image	
Max. Resolution	2560x1440
Mainstream	PAL: 25fps (2560×1440, 2048×1536, 1920×1080, 1280×960, 1280×720, 704×576, 640×480) NTSC: 25fps (2560×1440), 30fps (2048×1536, 1920×1080, 1280×960, 1280×720, 704×576, 640×480)
Sub Stream	PAL: 25fps (704×576, 704×288, 352×288) NTSC: 30fps (704×480, 704×240, 352×240)
Third Stream	CIF
Image Setting	Saturation, brightness, contrast, sharpness, adjustable by client software or web browser
Image Enhancement	BLC/3D DNR/HLC/Corridor Format
ROI	Support 4 fixed region of coding
OSD	16×16, 24×24, 32×32, 48×48, 64×64, 96×96, adaptable size, Letters Such as Week, Date, Time, Total 5 Regions
Picture Overlay	Yes
Privace Mask	Yes
Smart Defog	Yes
Feature	
Alarm Trigger	Event Input, Event Output, Motion Detection, Mask Alarm, Disk Full, Disk R/W Error, IP Address Conflict, MAC Address Conflict, FTP Server Exception



Video Analytics	Tripwire, Double Tripwire, Perimeter, Object Abandon, Object Lost, Loitering, Running, Parking, Crowded, Video Abnormal, Audio Abnormal
Early Warning(EW)	N/A
Intelligent Coding	N/A
Intelligent Image	N/A
Intelligent Alarm	N/A
Network	
ANR	Yes, auto store video in SD card when NVR disconnected, and upload video to NVR when resumed connection (Only Support Tiandy ANR NVR)
Protocols	TCP/IP, ICMP, HTTP, HTTPS, DHCP, DNS, DDNS, MULTICAST, UPnP, FTP, IPV4, NTP, RTSP, SMTP, IGMP, QoS, PPPoE, 802.1X
System Compatibility	ONVIF (PROFILE S), SDK, CGI, P2P
Remote Connection	≤7
Client	Easy7, Easy Live
Web Version	Web6
Interface	
Communication Interface	1 RJ45 10M/ 100M self adaptive Ethernet port
Audio	1/1, Mic in
Alarm	2/1
Reset Button	Yes
On-board storage	Built-in MicroSD card slot, up to 128 GB
General	
Firmware Version	NVSS_V8.1.37.20170706_SP1
Web Client Language	11 languages English, Russian, Spanish, Korean, Italian, Turkish, Simple Chinese, Traditional Chinese, Thai, French, Polish
Operating Conditions	-35°C ~ 65°C, 0 ~ 95% RH
Power Supply	DC12V±20%/PoE
Power Consumption	MAX: 8W(12V) MAX: 9W(POE)
Protection	IP66, IK10
Heater	N/A
Dimensions	Φ150×122 mm (Φ5.91*4.8 inch)
Weight	0.95Kg (2.09lb)

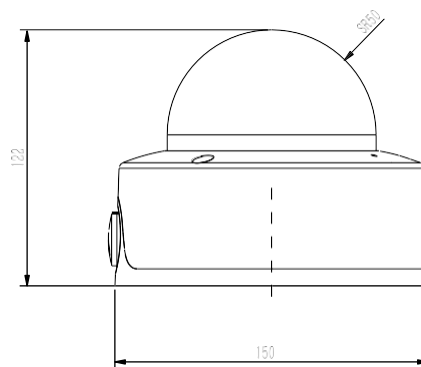
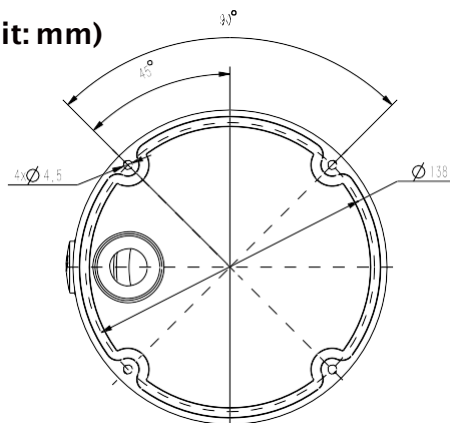
* Listed resolutions are only selectable options. It does not mean that all streams can work at their maximum resolution at the same time.

AVAILABLE MODEL

TC-NC44M

Tiandy

DIMENSIONS (Unit: mm)



ACCESSORIES



A36
Pole Mount



A35
Corner Mount



811
Junction Box



A29
Wall Mount



A21
Corner Pole
Mount



A24
Mount Adapter



A20
Pendant Mount

DISTRIBUTED BY